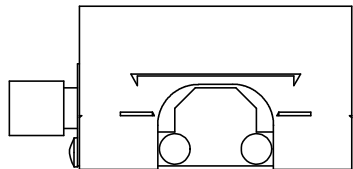


SPECIFICATIONS SUBJECT TO CHANGE WITHOUT NOTICE  
DIMENSIONS ARE FOR REFERENCE ONLY

 <b>Edmund Optics®</b>			
TITLE	40mm Metric Goniometer, 106mm Radius		
DWG NO	66531	SHEET 1 OF 2	REV 000



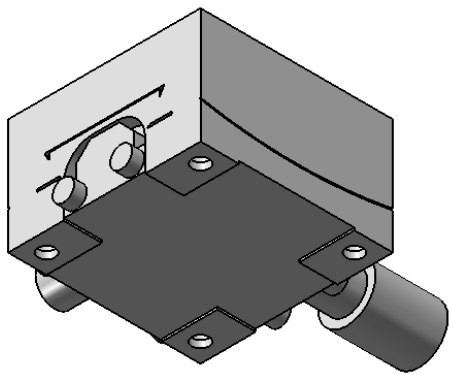
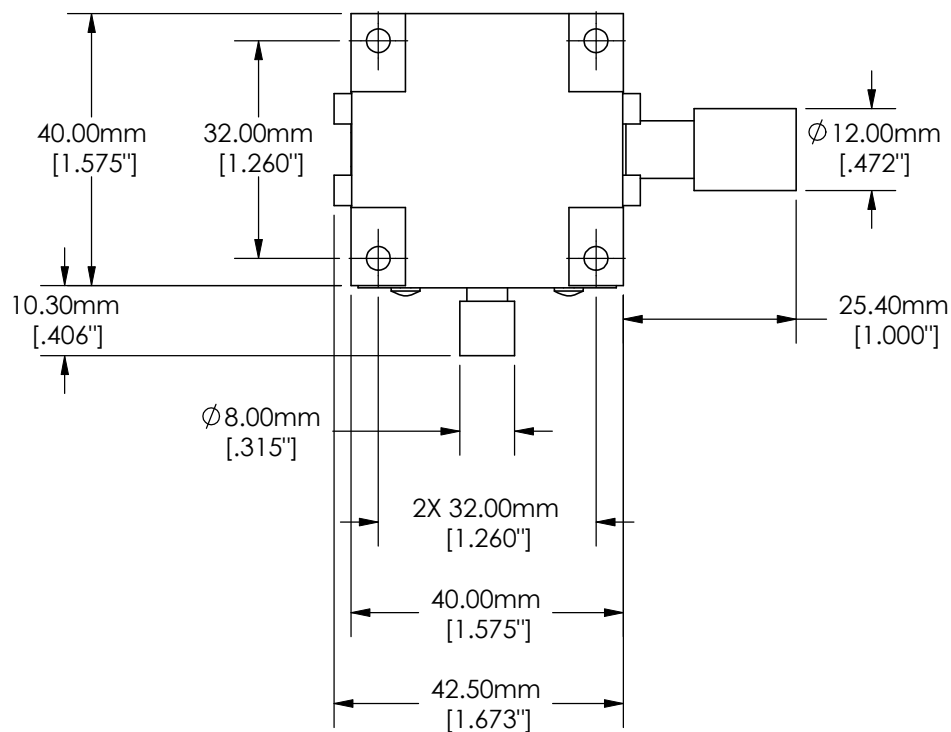
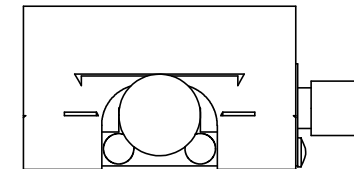
4X THRU HOLE AND C-BORE  
FOR M3 SHCS

4X 1.50mm  
[.059"]

4X  $\varnothing$  6.00mm  
[.236"]

4X  $\varnothing$  3.50mm  
[.138"]

14.00mm  
[.551"]



SPECIFICATIONS SUBJECT TO CHANGE WITHOUT NOTICE  
DIMENSIONS ARE FOR REFERENCE ONLY



Edmund Optics®

TITLE	40mm Metric Goniometer, 106mm Radius		
DWG NO	66531	SHEET 2 OF 2	REV 000

Enable 3D View