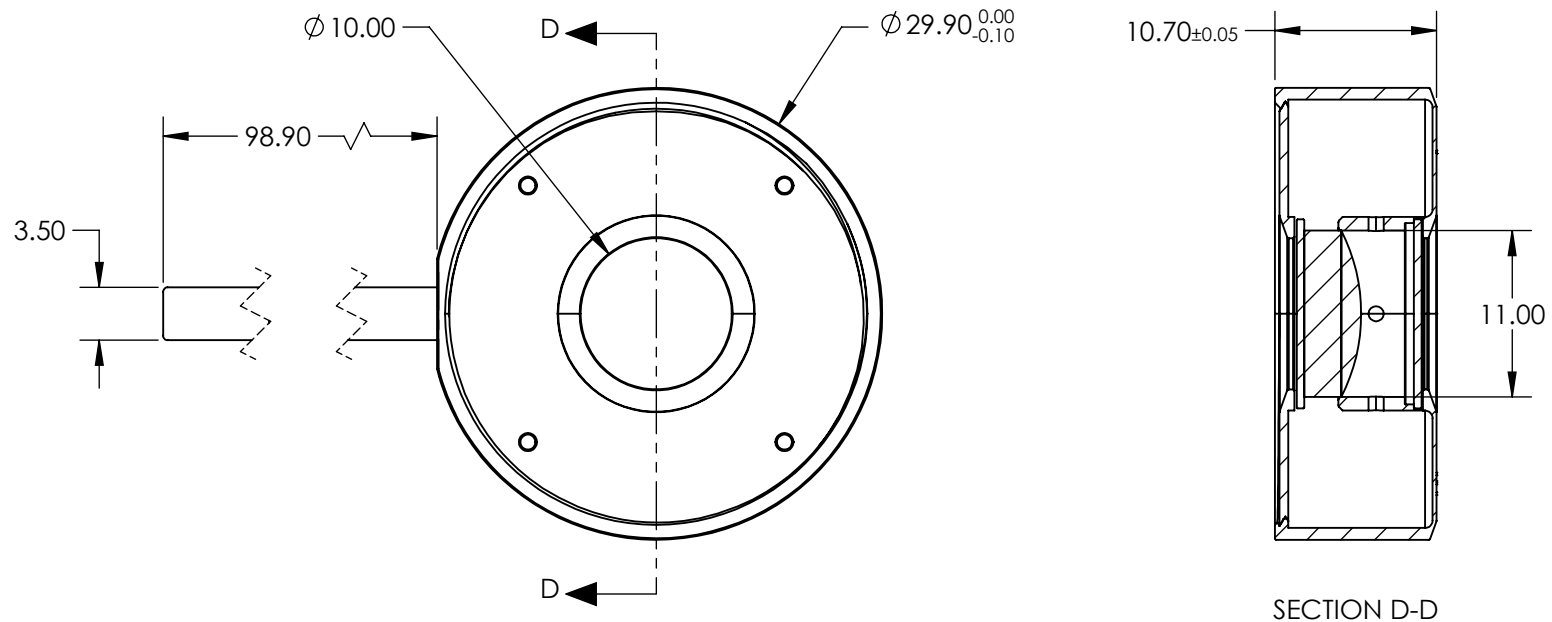


NOTES:

1. SUBSTRATE:
LOW DISPERSION POLYMER
2. ABBE NUMBER(Vd): 100.00
3. COATING: BBAR (400-700nm)
4. FOCUS RANGE: +50 to +120mm
5. TRANSMITTED WAVEFRONT ERROR, RMS:
VERTICAL: 0.2λ @ 525nm
HORIZONTAL: 0.5λ @ 525nm
6. DAMAGE TRHRESHOLD, CW: 10 kW/cm² @ 1064nm
7. ROHS COMPLIANT



SECTION D-D

SPECIFICATIONS SUBJECT TO CHANGE WITHOUT NOTICE
DIMENSIONS ARE FOR REFERENCE ONLY

**FOR INFORMATION ONLY:
DO NOT MANUFACTURE
PARTS TO THIS DRAWING**

EO® Edmund Optics®

THIRD ANGLE PROJECTION		TITLE	LOW DISPERSION, VIS COATED, ELECTRICALLY FOCUS-TUNABLE LENS	
ALL DIMS IN	mm	DWG NO	34970	SHEET 1 OF 1