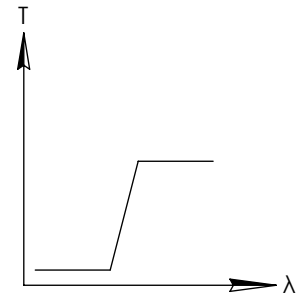
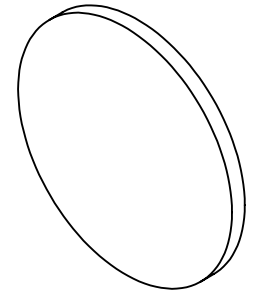
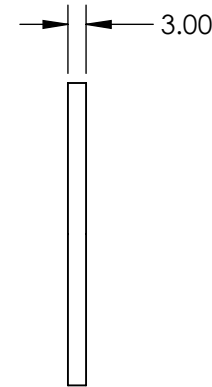
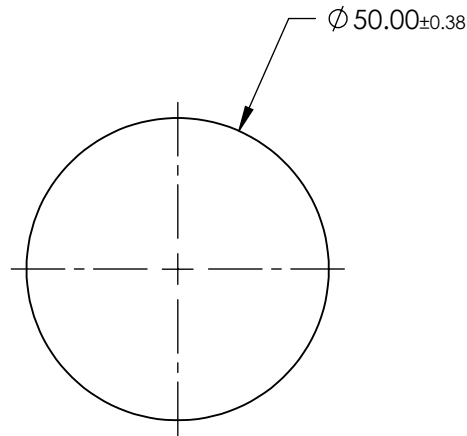


**FOR INFORMATION ONLY:
DO NOT MANUFACTURE
PARTS TO THIS DRAWING**



LONGPASS FILTER



SPECIFICATIONS SUBJECT TO CHANGE WITHOUT NOTICE
DIMENSIONS ARE FOR REFERENCE ONLY

REV. A	VALUE
SHAPE	PLANO
SPECTRAL TRANSMITTANCE $t_p(\%)$	96
PASSBAND LIMIT λ_{p1} (nm)	810
CUT-OFF POSITION λ_c (nm)	715±9
STOPBAND LIMIT λ_s (nm)	620
WAVELENGTH	IR
BEVEL	PROTECTIVE AS NEEDED



ALL DIMS IN

mm

TITLE

Ø50mm, SCHOTT RG-715 LONGPASS FILTER

DWG NO

66101

SHEET
1 OF 1