

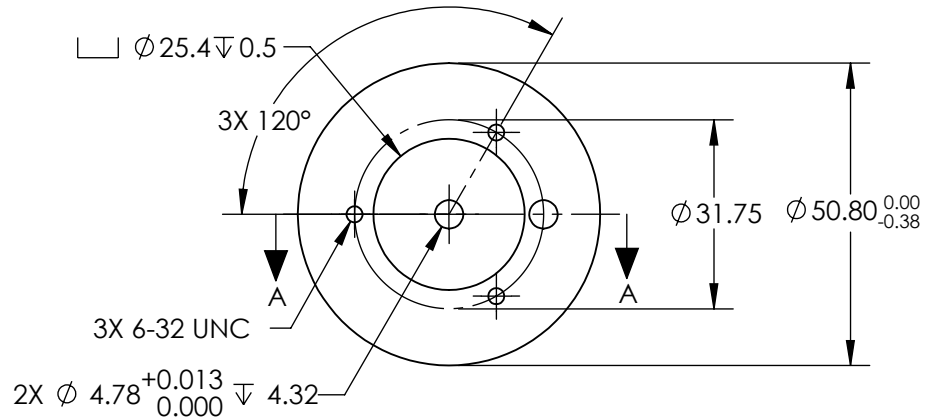
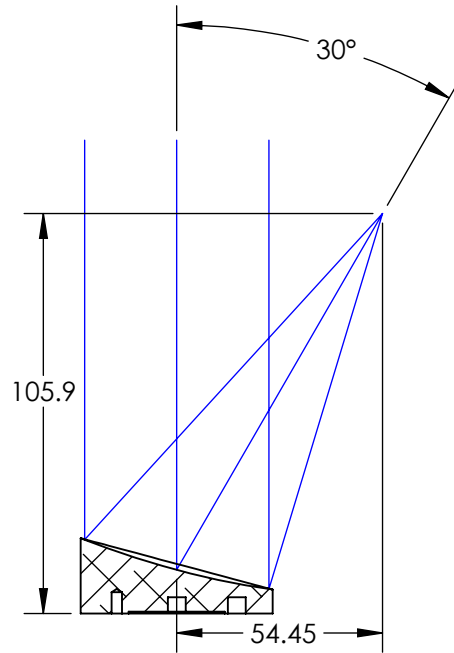
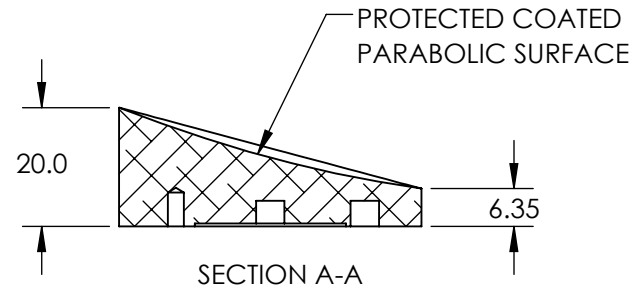
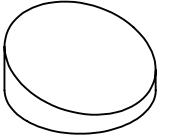
NOTES:

1. SUBSTRATE MATERIAL:
ALUMINUM
2. FINISH (EXCEPT SURFACE S1):
BLACK ANODIZED
3. COATING (APPLY ACROSS CLEAR APERTURE)
S1: PROTECTED GOLD
R(AVG) >96% @ 700 - 2000nm
R(AVG) >96% @ 2000 - 10000nm

SURFACE ROUGHNESS: <math><175 \text{ \AA}</math> RMS

4. FOCAL LENGTH TOLERANCE: $\pm 1\%$
5. ROHS COMPLIANT

**FOR INFORMATION ONLY:
DO NOT MANUFACTURE
PARTS TO THIS DRAWING**



SPECIFICATIONS SUBJECT TO CHANGE WITHOUT NOTICE
DIMENSIONS ARE FOR REFERENCE ONLY

| | |
|--|----------------------|
| REV. A | S1 |
| SHAPE | PARABOLIC |
| REFLECTIVE WAVEFRONT DISTORTION AT 632.8nm (RMS) | $\lambda/2$ |
| SURFACE FIGURE AT 632.8nm (RMS) | $\lambda/4$ |
| CLEAR APERTURE | 90% |
| BEVEL | PROTECTIVE AS NEEDED |

| | | | |
|------------------------|----|---|--------------|
| | | Edmund Optics® | |
| | | TITLE: $\text{\O}50.8 \times 108.9\text{mm EFL } 30^\circ \text{ OAP PROTECTED GOLD MIRROR } 175\text{\AA}$ | |
| THIRD ANGLE PROJECTION | | DWG NO | 47090 |
| ALL DIMS IN | mm | | SHEET 1 OF 1 |