

NOTES:

1. SUBSTRATE MATERIAL: BOROFLOAT®

2. COATING (APPLY ACROSS CLEAR APERTURE)

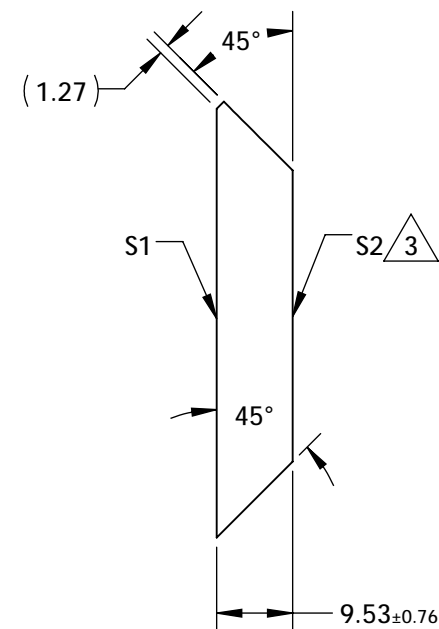
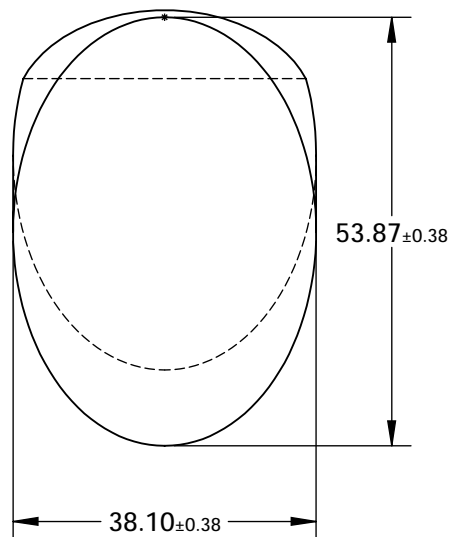
S1: R(AVG) >85% @ 400 - 700nm

R(AVG) >90% @ 400 - 2000nm

S2: NONE

3. FINE GRIND SURFACE

4. RoHS COMPLIANT

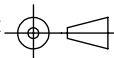


**FOR INFORMATION ONLY:
DO NOT MANUFACTURE
PARTS TO THIS DRAWING**

SPECIFICATIONS SUBJECT TO CHANGE WITHOUT NOTICE
DIMENSIONS ARE FOR REFERENCE ONLY

	S1	S2
TYPE	PLANO	PLANO
CLEAR APERTURE (mm)	48.49 x 34.29	N/A
SURFACE QUALITY	60-40	N/A
SURFACE FLATNESS	$\lambda/8$	N/A
BEVEL	PROTECTIVE AS NEEDED	PROTECTIVE AS NEEDED

THIRD ANGLE
PROJECTION



ALL DIMS IN

mm

EO® Edmund Optics®

TITLE

38.1mm, MINOR AXIS PROTECTED ALUM.
ELLIPTICAL MIRROR

DWG NO

30258

SHEET
1 OF 1