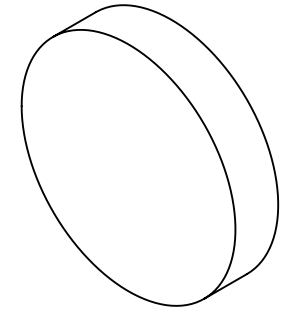


NOTES:

**FOR INFORMATION ONLY:
DO NOT MANUFACTURE
PARTS TO THIS DRAWING**

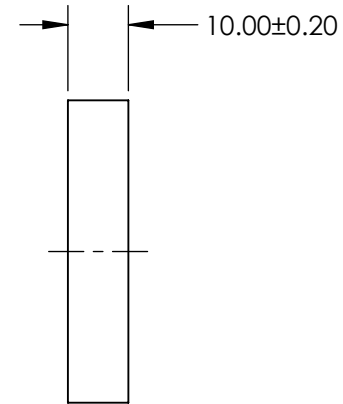
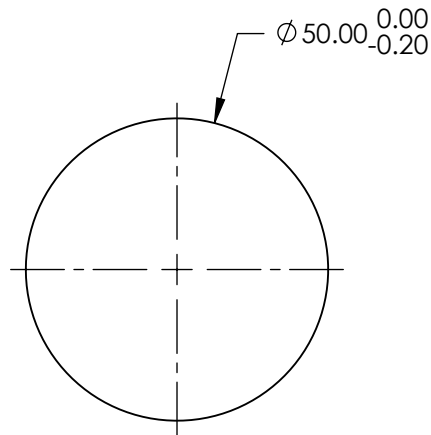
1. SUBSTRATE: Fused Silica
2. SURFACE S2 TO BE PARALLEL WITH SURFACE S1 TO WITHIN <3 arcmin
3. COATING SPECIFICATION APPLY ACROSS COATING APERTURE
S1: R(abs) >99% @ 248nm
S2: NONE



4. FINE GRIND SURFACE

5. POWER, IRREGULARITY, AND SURFACE QUALITY SPECIFICATIONS
APPLY ACROSS CLEAR APERTURE

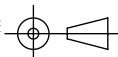
6. ROHS COMPLIANT



SPECIFICATIONS SUBJECT TO CHANGE WITHOUT NOTICE
DIMENSIONS ARE FOR REFERENCE ONLY

EO® Edmund Optics®

	S1	S2
SHAPE	PLANO	PLANO
SURFACE QUALITY	10-5	N/A
SURFACE FLATNESS	$\lambda/10$	N/A
BEVEL	PROTECTIVE AS NEEDED	PROTECTIVE AS NEEDED

THIRD ANGLE PROJECTION 

ALL DIMS IN mm

TITLE	50.0mm 248nm 45°, EXCIMER Laser Line Mirror		
DWG NO	63120	SHEET	1 OF 1