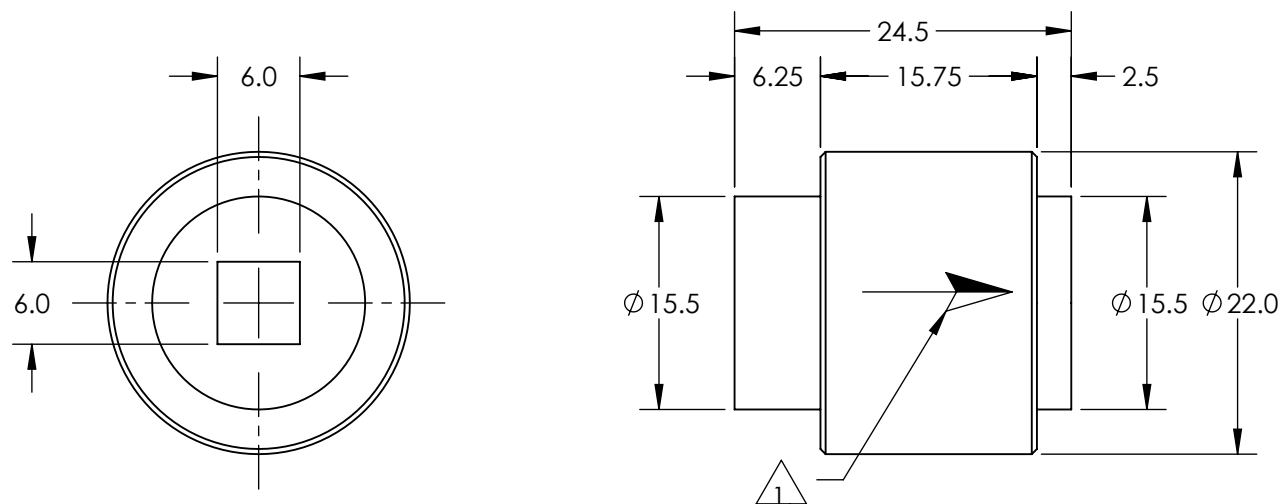
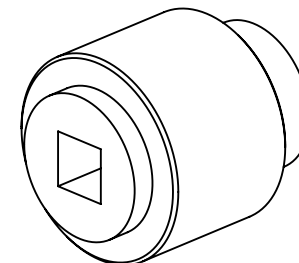


NOTES:

1.  ARROW INDICATOR SHOWS BEAM PATH
2. RoHS COMPLIANT



**FOR INFORMATION ONLY:
DO NOT MANUFACTURE
PARTS TO THIS DRAWING**

SPECIFICATIONS SUBJECT TO CHANGE WITHOUT NOTICE
DIMENSIONS ARE FOR REFERENCE ONLY

CLEAR APERTURE (mm)	4.7
DAMAGE THRESHOLD (CW)	40 W, 4 kW/cm ² @ DWL
DESIGN WAVELENGTH DWL (nm)	405
MIN ISOLATION @ DWL (dB)	38
OPERATING TEMPERATURE	+15 C to 40 C
TRANSMISSION (%)	92 (typical)
TYPICAL ISOLATION @ DWL (dB)	43



THIRD ANGLE PROJECTION 

ALL DIMS IN

mm

TITLE

405nm Single Stage Free-Space Optical Isolator

DWG NO

35969

SHEET
1 OF 1