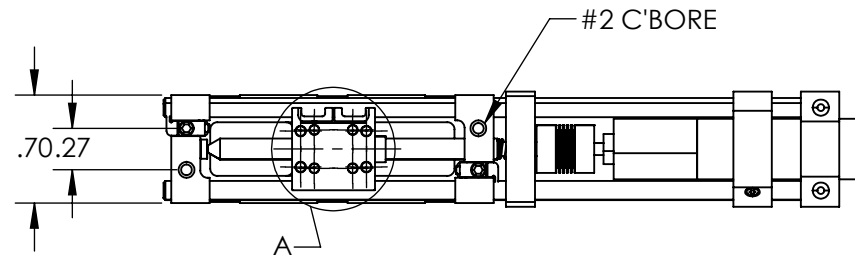
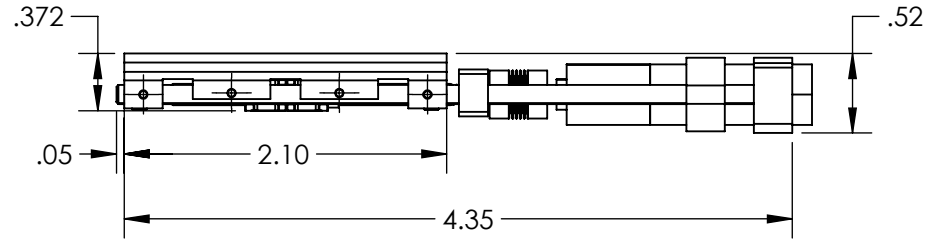
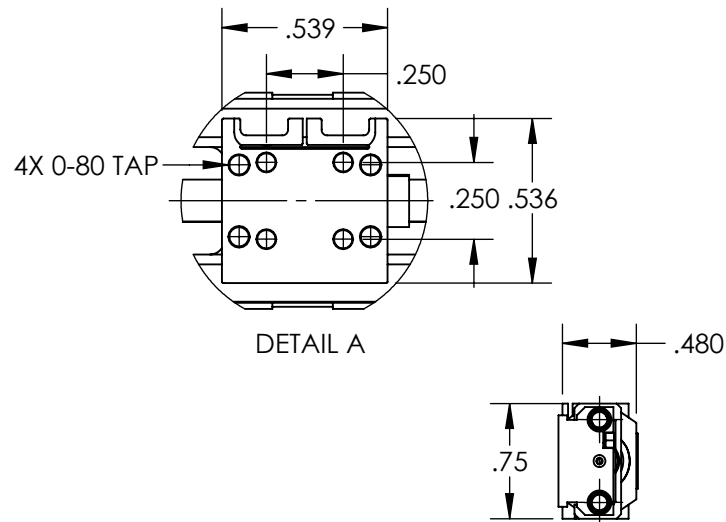
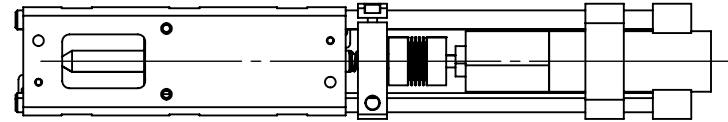


NOTES:

1. TYPE OF MOVEMENT: Single Axis
TRAVEL (in) : 1.00
ACCURACY (um): ±3.5 per inch of travel
2. TYPE OF DRIVE: Precision Leadscrew
3. LOAD CAPACITY (kg): 0.5 Horizontal / 0.5 Vertical
4. RESOLUTION (um): 0.4961
5. MAXIMUM RUNOUT (mm): 0.003 per Inch
6. PITCH: 80 TPI
7. REPEATABILITY (um): ±2.5
8. GEAR DRIVE RATIO: 16:1
SPEED (mm/s): 6.00
COUNTS/SCREW REVOLUTION: 640.00
BACKLASH (um): 50.00
9. STRAIGHTNESS/FLATNESS (um): ±2.5 per inch
10. VACUUM COMPATIBILITY: 10-3 Torr



**FOR INFORMATION ONLY:
DO NOT MANUFACTURE
PARTS TO THIS DRAWING**

SPECIFICATIONS SUBJECT TO
CHANGE WITHOUT NOTICE
DIMENSIONS ARE FOR
REFERENCE ONLY

EO® Edmund Optics®

THIRD ANGLE PROJECTION		TITLE	1" Travel, Micro Mini Stage, Extended Type	
ALL DIMS IN	in	DWG NO	53673	SHEET 1 OF 1