

NOTES:

1. SUBSTRATE MATERIAL: BOROFLOAT®

2. COATING (APPLY ACROSS CLEAR APERTURE)

S1: R(AVG) ≥98% from 340 - 488nm @ 0° AOI

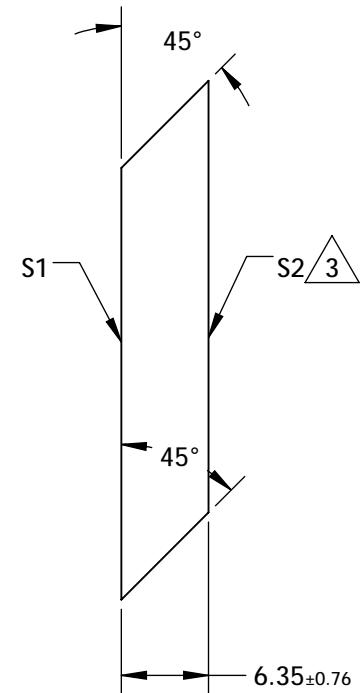
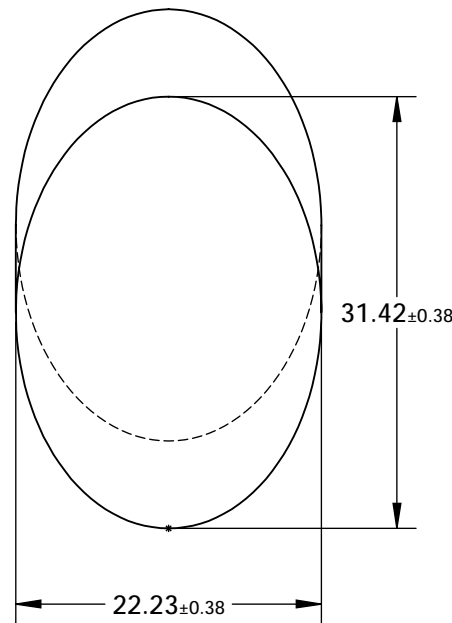
R(AVG) ≥98% from 320 - 450nm @ 45° AOI FOR ALL POLARIZATIONS

R(AVG) ≥99% from 320 - 450nm @ 45° AOI FOR S-POLARIZATION

S2: NONE

3. FINE GRIND SURFACE

4. RoHS COMPLIANT

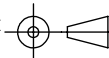


**FOR INFORMATION ONLY:
DO NOT MANUFACTURE
PARTS TO THIS DRAWING**

SPECIFICATIONS SUBJECT TO CHANGE WITHOUT NOTICE
DIMENSIONS ARE FOR REFERENCE ONLY

	S1	S2
TYPE	PLANO	PLANO
CLEAR APERTURE (mm)	28.27 x 20.02	N/A
SURFACE QUALITY	60-40	N/A
SURFACE FLATNESS	λ/8	N/A
BEVEL	PROTECTIVE AS NEEDED	PROTECTIVE AS NEEDED

THIRD ANGLE
PROJECTION



ALL DIMS IN

mm



TITLE

ELLIPTICAL MIRROR 22.3mm MINOR
AXIS 320-450nm

DWG NO

72934

SHEET
1 OF 1